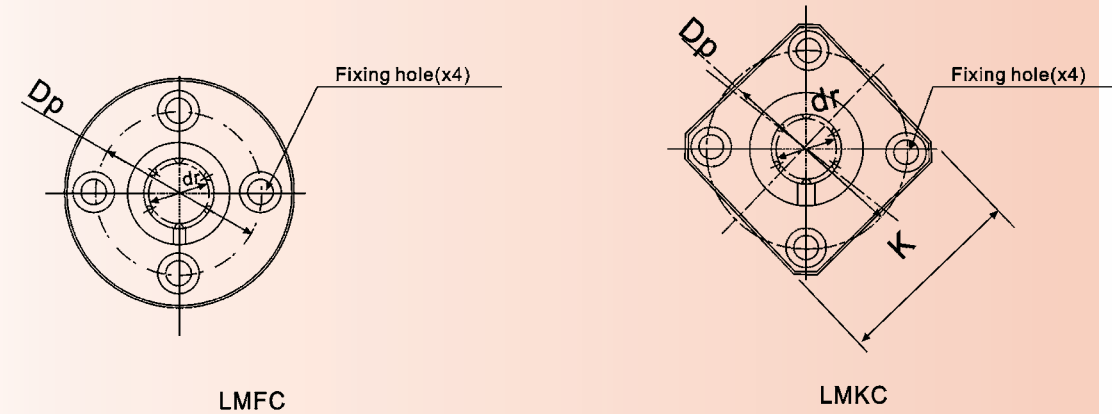
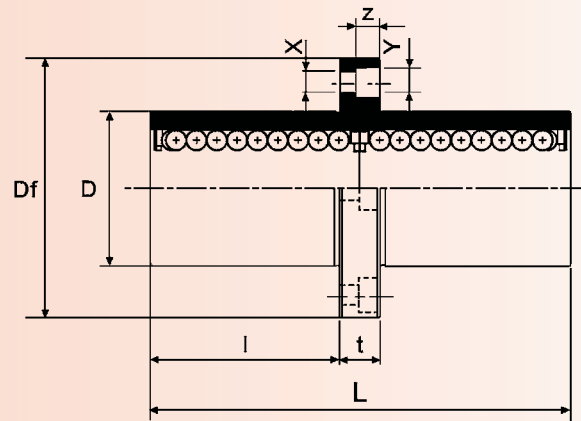


LMFC <Resin Retainer>



This type is a metric dimension series widely used in Japan and other countries.



直線軸承

Nominal shaft diameter mm	Part No.		Major dimensions and tolerance										Eccentricity μm	Squareness μm	Basic load rating		Weight g	Nominal shaft diameter mm				
	LMFC	LMKC	mm	dr		D		L		Flange					dynamic C(N)	Static Co(N)						
				Tolerance μm	mm	Tolerance μm	mm	Tolerance μm	mm	l mm	Df mm	K mm							t mm	Dp mm	X mm	Y mm
6	LMFC6	LMKC6	6	0 -10	12	0	35	±300	15	28	22	5	20	3.5	6	3.1	15	15	323	530	31 25	6
8	LMFC8	LMKC8	8		15	-13	45		20	32	25	5	24	3.5	6	3.1			431	784	51 43	8
10	LMFC10	LMKC10	10		19	0	55		24.5	40	30	6	29	4.5	7.5	4.1			588	1,100	98 78	10
12	LMFC12	LMKC12	12		21	0	57		25.5	42	32	6	32	4.5	7.5	4.1			813	1,570	110 90	12
13	LMFC13	LMKC13	13		23	-16	61		27.5	43	34	6	33	4.5	7.5	4.1			813	1,570	130 108	13
16	LMFC16	LMKC16	16		28		70		32	48	37	6	38	4.5	7.5	4.1			1,230	2,350	190 165	16
20	LMFC20	LMKC20	20	0 -12	32	0	80	36	54	42	8	43	5.5	9	5.1	20	20	1,400	2,740	260 225	20	
25	LMFC25	LMKC25	25		40	0	112	52	62	50	8	51	5.5	9	5.1			1,560	3,140	540 500	25	
30	LMFC30	LMKC30	30		45	-19	123	56.5	74	58	10	60	6.6	11	6.1			2,490	5,490	680 590	30	
35	LMFC35	LMKC35	35	0 -15	52		135	62.5	82	64	10	67	6.6	11	6.1	25	25	2,650	6,270	1,020 930	35	
40	LMFC40	LMKC40	40		60	0	151	69	96	75	13	78	9	14	8.1			3,430	8,040	1,570 1,380	40	
50	LMFC50	LMKC50	50		80		192	89.5	116	92	13	98	9	14	8.1			6,080	15,900	3,600 3,400	50	
60	LMFC60	LMKC60	60	0 -20	90	0 -25	209	95.5	134	106	18	112	11	17	11.1	30	30	7,550	20,000	4,500 4,060	60	

Seal type:
LMFC10 UU

SI Unit 1N≒0.102kgf

No entry	No seals
UU	Seals on both sides